

GHG-TQJ Adjustable One Way Torque Hinge

Features

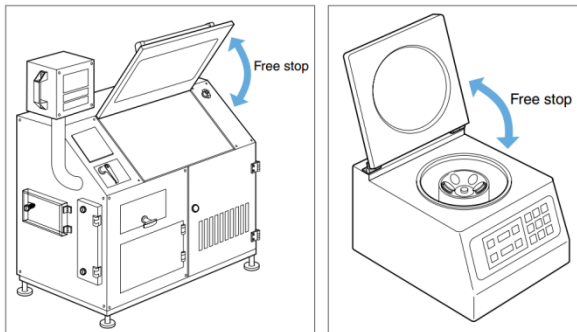
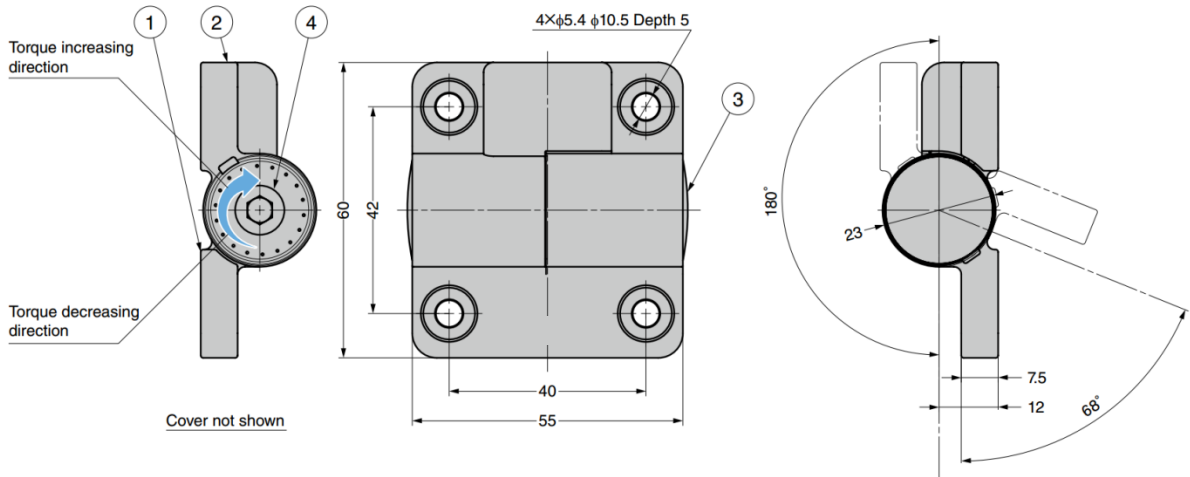
- Friction in one direction only, allows for frictionless handling of the door in the opposite direction
- Torque adjustable from 0 to 10 N.m
- High torque type with max. torque up to 10 N.m
- Two types available (friction in opening direction or in closing direction)
- Stable torque
- Cover attached to torque adjustment portion for clean appearance
- Passed 20,000 life cycle test

Notes

- Operating temperature: 0°C ~ 40°C
- Ensure hinge shafts are level and aligned during installation
- Use all mounting holes
- Do not remove the torque adjustment screw.
- Use hex key (nominal size 5) for torque adjustment.
- Readjust the torque moment when it lowers

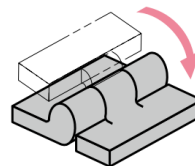


Free stop
Passed 20,000 open/
close private cycle test



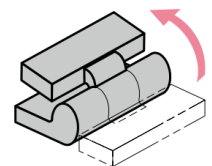
Wide adjustable torque range allows hinge to be used for various door / cover applications

Torque Working Direction



Opening direction

Item name suffixed with "A"



Closing direction

Item name suffixed with "B"

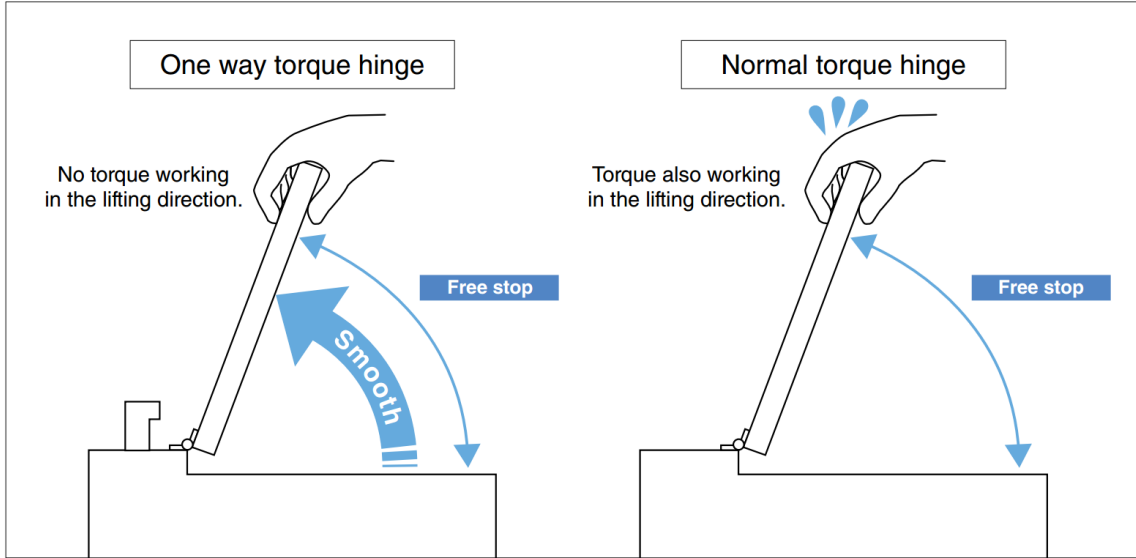
No.	Part Name	Material	Finish / Colour
①	Bracket A	Zinc Alloy	Satin Chrome
②	Bracket B		
③	Cover	PP	Dark Grey
④	Torque Adjustment Nut	Steel	—

Part No.	Type	Torque (per piece)	
GHG-TQJ100-A	Torque Working in Opening Direction	0 ~ 10 N.m	0 ~ 102 kgf.cm
GHG-TQJ100-B	Torque Working in Closing Direction		

One Way Torque Hinge

Free stop
+
Easy operation

Friction in one direction only (free stop): Allows for frictionless handling of the door or lid in the opposite direction.



List of One Way Torque Hinges

Item Name	 <p>GHG-TQJ100</p>	 <p>GHG-TQA</p>
Torque N · m	0~10 (Adjustable)	9.0 ^{+40%} _{-20%}

Other One Way Torque Products



GS-TAR

One Way Free Stop Stay

- Torque stay for upward-opening, downward-opening and top-opening
- Friction in one direction only, provides smooth opening
- Torque adjustable with a hex key (included)
- Torque: 0 ~ 7 N.m (adjustable)

Contact Gripwell sales for more information and assistance